



© JAMES THOMAS ENGINEERING INC - USA

ALL DIMENSIONS IN mm
UNLESS STATED,
DO NOT SCALE.
IF IN DOUBT ASK.
THIRD ANGLE
PROJECTION

CUSTOMER: -

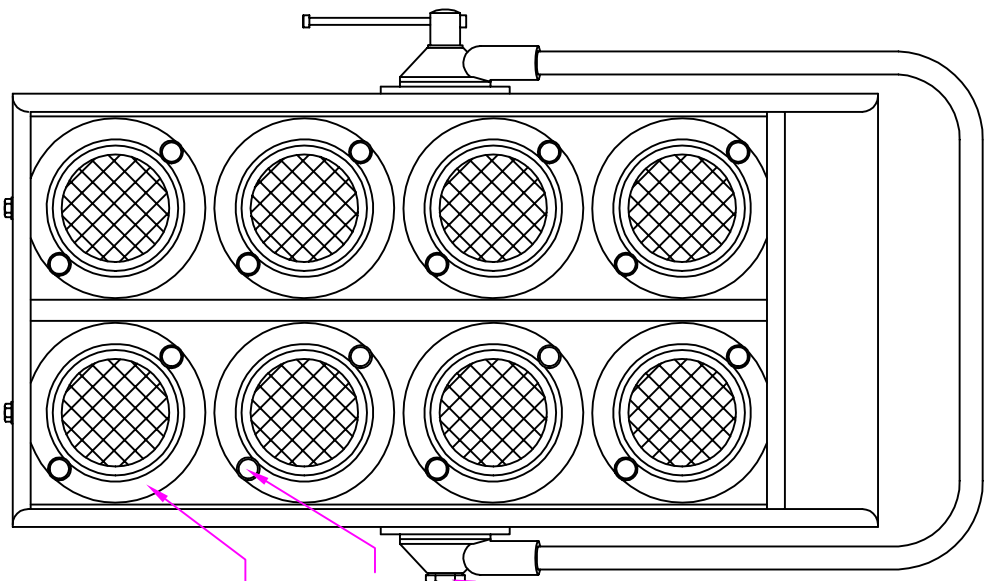
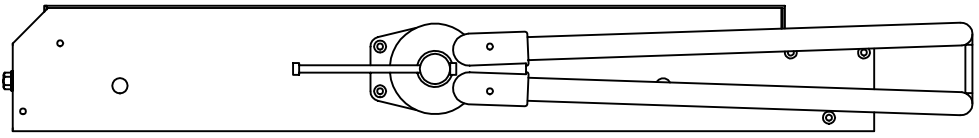
START DATE: -
DRAWN BY: -
POSITION TOLERANCE: +/- 1.5mm
ANGULAR TOLERANCE: +/- 2.0 DEG

SCALE: NTS
8 LITE UNIT
PARTS

PRODUCT: SPOT BANKSDRAWING TITLE:
PARTS

PART No. -
SHEET No. 01 OF 01
DRAWING No. D3680-PARTS
DRAWING TYPE
ISSUE 1

This drawing/document is COPYRIGHT and the property of JAMES THOMAS ENGINEERING and must not be copied (in whole or in part) used for manufacture or otherwise disclosed without the consent of the company copies of this drawing/document made by any method must include a copy of this legend



SEE YOKE PARTS

G0030 SPRING & PLUNGER
ASSEMBLY

D3600 RETAINING RING
WITH MESH

Thomas[®] YOKE PARTS

