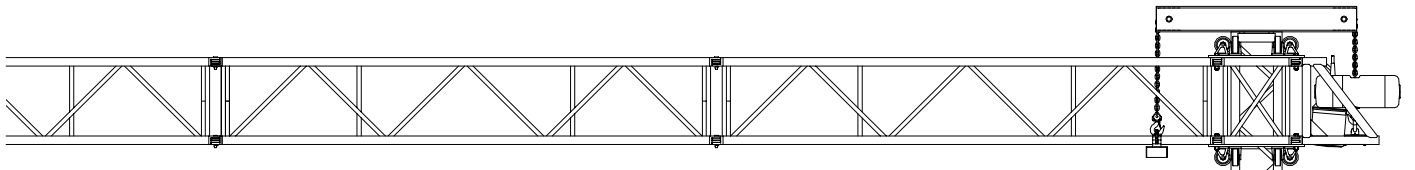


TOWER OUTRIGGERS

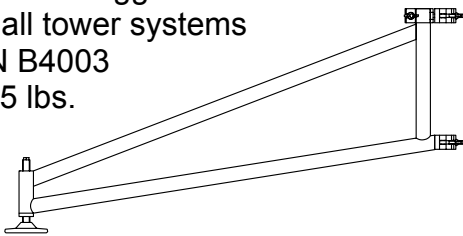


The ground support tower system is manufactured with the purpose of providing a lifting medium for a variety of Thomas trusses ranging from 12" x 12" through to heavy duty truss.

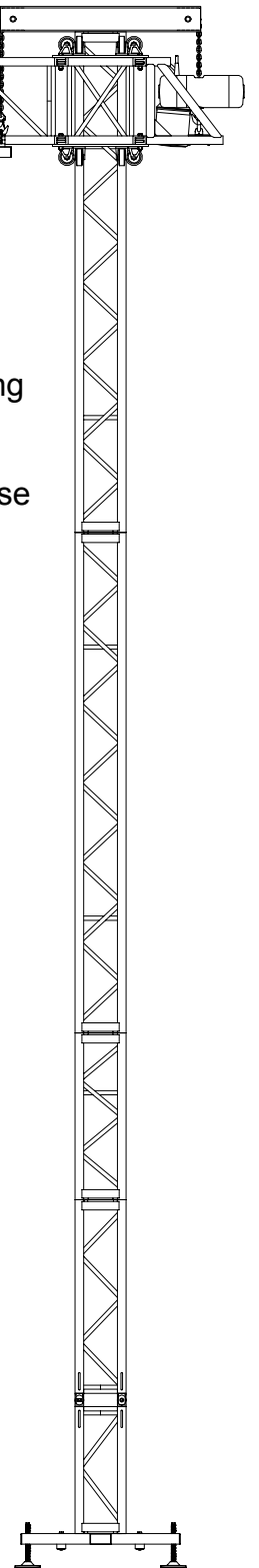
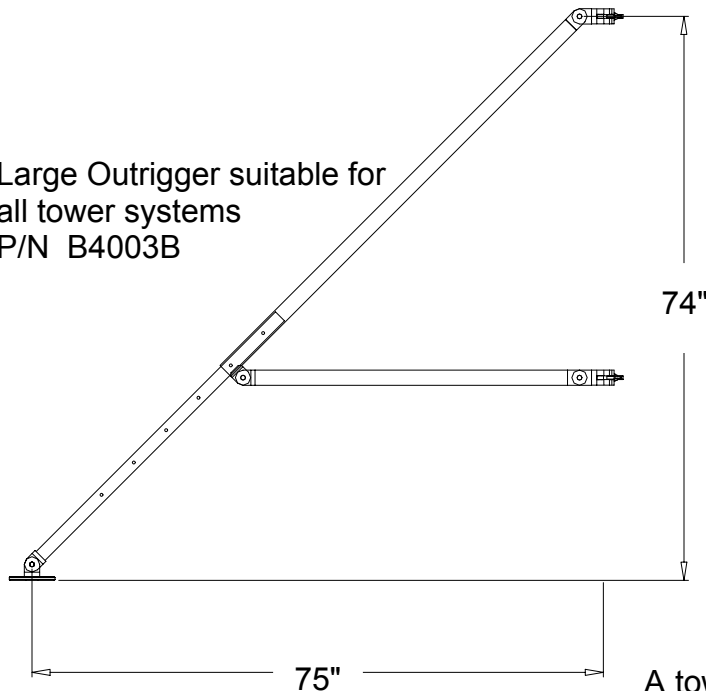
Towers provide the necessary support for a truss rig in venues where the flying points are either not strong enough, or in the right place. Towers are capable of lifting 2 ton to a maximum height of 40 feet.

Outrigger and Stabilizer sets are required when using less than 3 towers. These are designed to provide stability and rigidity to single or two tower systems.

Small Outrigger arm suitable
 for all tower systems
 P/N B4003
 19.5 lbs.



Large Outrigger suitable for
 all tower systems
 P/N B4003B



A tower lifting system can also be supplied with 12" or 15" tower system.