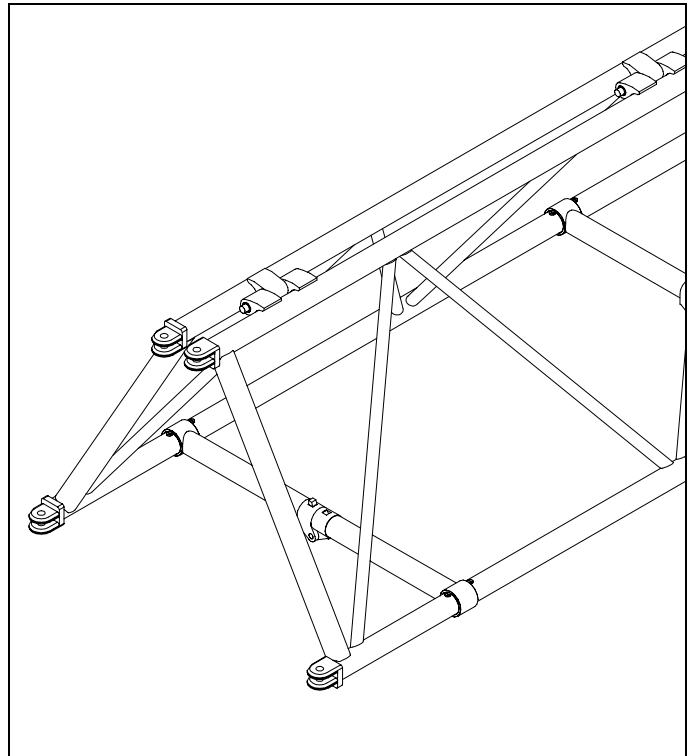


30" FOLDING SUPERTRUSS

This range of truss has been developed for those applications which require a compact truck pack with high load bearing capability. All sections fold completely flat and therefore take up the smallest amount of space possible. Indeed 50' of folding truss requires the same space as 1 x 8' section of Pre-rig Supertruss. Quick assembly of trusses together by the tried and trusted Supertruss fork connector. Each truss is separated at the bottom boom by folding locking elbows and hinged at the top with our custom made extrusion. It is made from 6061-T6 alloy 2" x 0.157" tubes in the main chords and 1" x 0.125" tubes in the diagonals

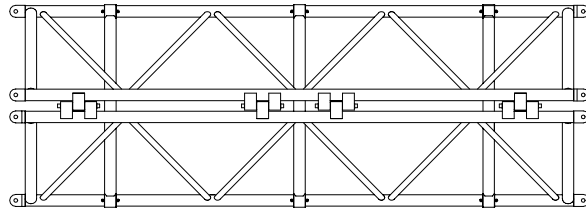
| Product Code | DESCRIPTION | WT lbs |
|--------------|---------------------------------------------------------|--------|
| B2660 | 12' Folding Supertruss | 107 |
| B2661 | 10' Folding Supertruss | 96 |
| B2662 | 8' Folding Supertruss | 82 |
| B2663 | 6' Folding Supertruss | 67 |
| B2664 | 4' Folding Supertruss | 62 |
| B2602 | 2 Way Folding Supertruss joint | 30 |
| B2603 | 3 Way Folding Supertruss joint c/w square support plate | 50 |
| B2604 | 4 Way Folding Supertruss joint c/w square support plate | 60 |
| B2605 | 2 Way Folding Supertruss square support plate | 44 |
| B2606A | 12" Tower Sleeve plate | 54 |
| B2606B | 15" Tower Sleeve plate | 50 |
| B2607 | Add on caster bars | 12 |
| B2609 | Folding Supertruss flying point | 25 |



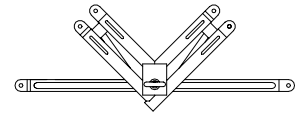
| Allowable Load Data | Maximum Allowable Uniform Loads | | Maximum Allowable Center Point Loads | |
|---------------------|---------------------------------|--------------------|--------------------------------------|--------------------|
| | Span feet (meters) | Loads pounds (kgs) | Maximum deflection inches (mm) | Loads pounds (kgs) |
| 10 (3.048) | 11704 (5309)* | 0.276 (7) | 10158 (4608) | 0.394 (10) |
| 20 (6.096) | 11704 (5309)* | 0.276 (7) | 10158 (4608) | 0.394 (10) |
| 30 (9.144) | 11618 (5270)* | 0.946 (24) | 6728 (3052) | 0.946 (24) |
| 40 (12.192) | 9179 (4164) | 1.812 (46) | 4589 (2082) | 1.812 (46) |
| 50 (15.24) | 5471 (2482) | 2.206 (56) | 2735 (1241) | 2.206 (56) |
| 60 (18.288) | 3994 (1812) | 3.861(98) | 2290 (1039) | 3.861(98) |
| 70 (21.336) | 3134 (1422) | 5.122 (130) | 1567 (711) | 5.122 (130) |
| 80 (24.384) | 2169 (984) | 5.90 (150) | 1084 (492) | 5.910 (150) |
| 90 (27.432) | 1466 (665) | 6.659 (169) | 734 (333) | 6.659 (169) |
| 100 (30.48) | 932 (423) | 7.447 (189) | 467 (212) | 7.447 (189) |

LOADING FIGURES show maximum loads between supports in addition to self weight of truss. Information extracted from structural report by The Broadhurst Partnership. * Denotes load limited to suit maximum shear capacity. All loads include a 20% overload factor for dynamic effects.

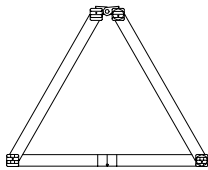
30" FOLDING SUPERTRUSS



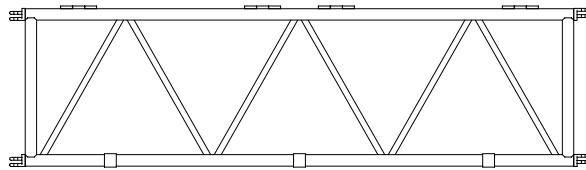
Plan View



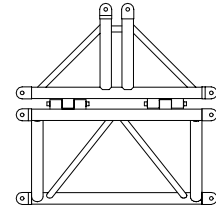
B2602
 2 Way Corner



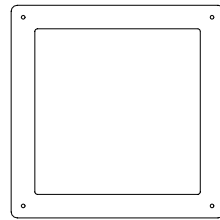
End View



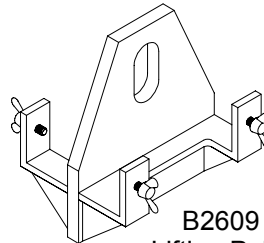
Side View



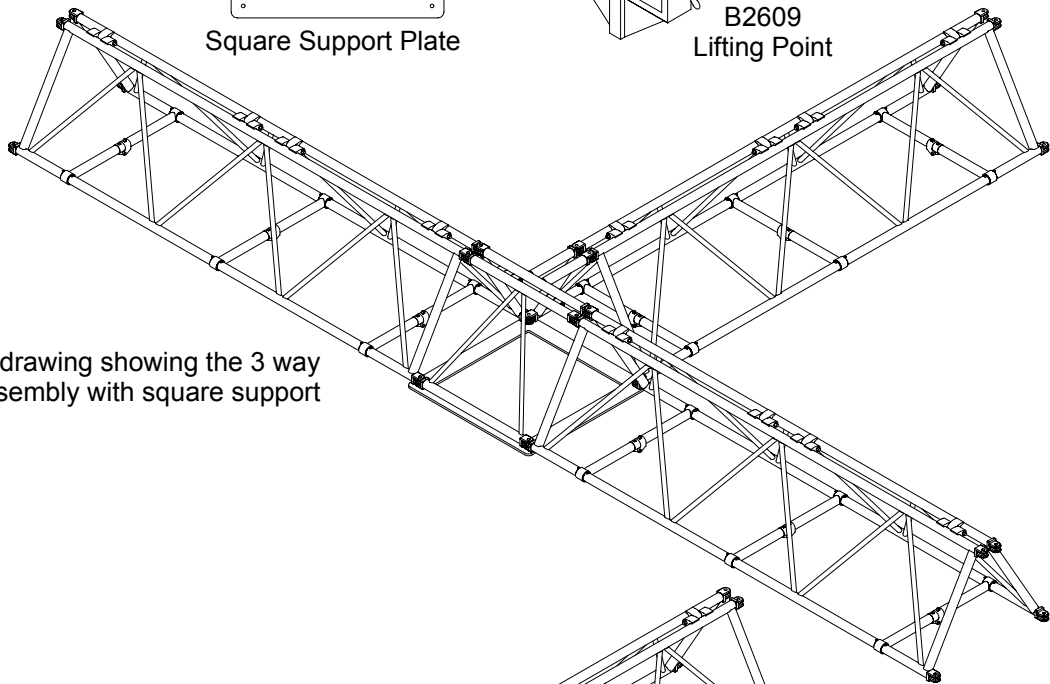
B2603
 3 Way Corner



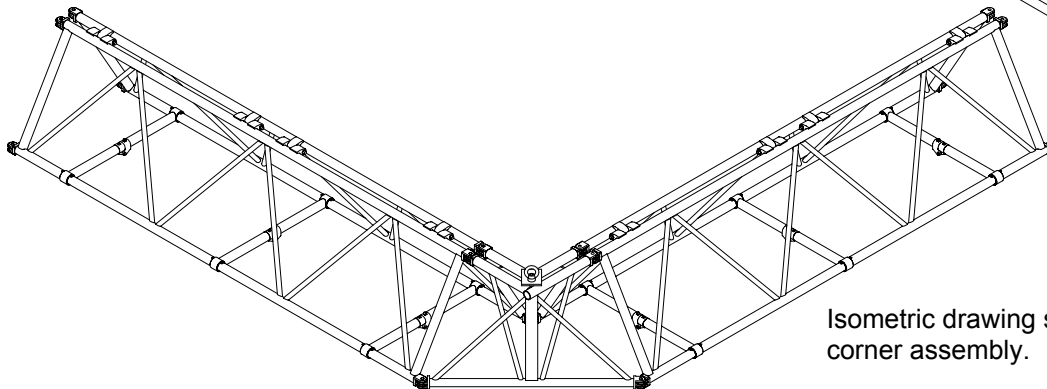
Square Support Plate



B2609
 Lifting Point



Isometric drawing showing the 3 way corner assembly with square support plate.



Isometric drawing showing the 2 Way corner assembly.