

JAMES

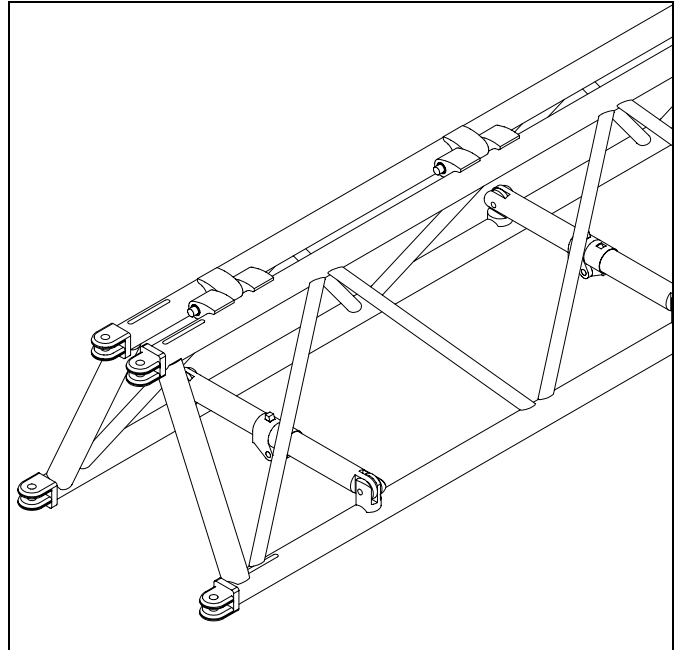


ENGINEERING

20.5" FOLDING SUPERTRUSS

This Supertruss has been developed for those applications which require a good loadbearing capability and a compact truck pack . The truss ladders are separated at the bottom by folding locking elbows and are hinged at the top with our custom made extrusion. All sections fold flat to a width of 5.25" to take up the smallest amount of space possible. Indeed 40 feet of folding truss requires about the same space as 1 - 10 foot section of 20.5 inch Supertruss.

PRODUCT CODE	DESCRIPTION	WT lbs
B3660A	12 foot of 20.5" Folding Supertruss	99
B3661	10 foot of 20.5" Folding Supertruss	88
B3662	8 foot of 20.5" Folding Supertruss	74
B3663	6 foot of 20.5" Folding Supertruss	59
B3664	5 foot of 20.5" Folding Supertruss	54
B3666	4 foot of 20.5" Folding Supertruss	52
B3605	2 Way Folding Supertruss square support plate	-
B3603	3 Way Folding Supertruss joint c/w square support plate	-
B3604	4 Way Folding Supertruss joint c/w square support plate	-
B3607	Add on caster bars	-
B2609	Folding Supertruss lifting point	-
B3611	0 - 180° Pivot section	-



Allowable Load Data	Maximum Allowable Uniform Loads		Maximum Allowable Center Point Loads		
	Span feet (meters)	Loads pounds (kgs)	Maximum deflection inches (mm)	Loads pounds (kgs)	Maximum deflection inches (mm)
	10 (3.048)	6680 (3030)*	0.44 (11)	5732 (2614)	0.59 (15)
	20 (6.096)	6680 (3030)*	0.44 (11)	5732 (2614)	0.59 (15)
	30 (9.144)	6609 (2998)*	1.50 (38)	3783 (1716)	1.50 (38)
	40 (12.192)	4616 (2094)	2.56 (65)	2308 (1047)	2.56 (65)
	50 (15.24)	3256 (1477)	3.70 (94)	1629 (739)	3.70 (94)
	60 (18.288)	2050 (930)	4.41(112)	1025 (465)	4.41(112)
	70 (21.336)	1300 (590)	5.15 (131)	650 (295)	5.15 (131)
	80 (24.384)	798 (362)	5.90 (150)	399 (181)	5.90 (150)

LOADING FIGURES show maximum loads between supports in addition to self weight of truss. Information extracted from structural report by The Broadhurst Partnership. * Denotes load limited to suit maximum shear capacity. All loads include 20% overload factor for dynamic effects.

