

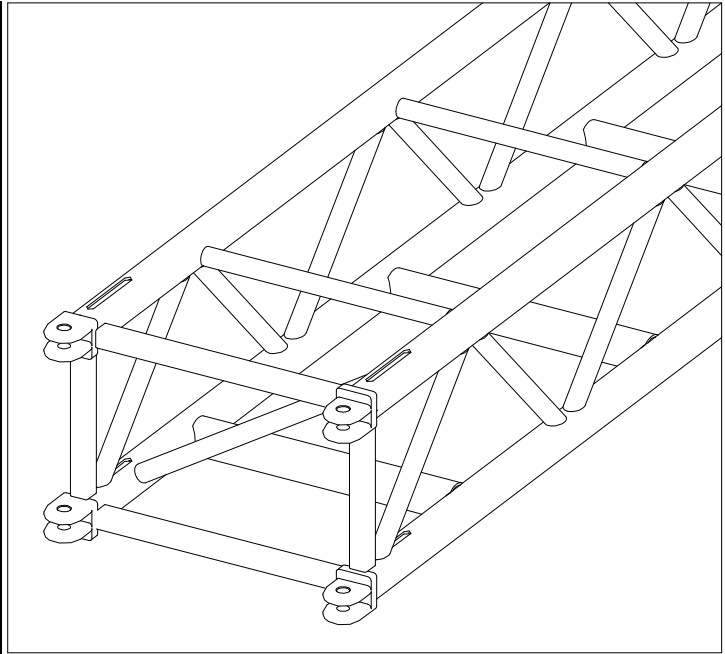
# SUPERTRUSS

## 18 x 12

A revolutionary truss designed to offer all the advantages of the Thomas Supertruss design in a 18 x 12 layout. This truss has the advantage of being able to accommodate 2 lighting bars back to back.

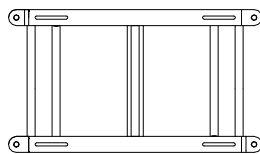
18 x 12 Supertruss provides a substantial increase in loadbearing capacity over the GP 18 x 12 truss. It is made from 6061-T6 alloy 2" x 0.157" tubes in the main chords and 1" x 0.125" tubes in the diagonals

PRODUCT CODE	DESCRIPTION	WT lbs
B2360 R2	12' Section	96
B2361 R2	10' Section	76
B2362 R2	8' Section	64
B2363 R2	6' Section	48
B2364 R2	5' Section	45
B2365 R2	2' 6" Section	20
B2300A	60 Degree corner gate	22
B2301	90 Degree corner gate	10
B1203	135 Degree corner gate	8
B2304A	3 Way gate / 120° gate	9
B2304B	3 Way gate with lifting point	12
B2308	Square support plate	10
B2311	18" x 12" Super-truss to GP 18" x 12" adaptor gate	9
G6671A	12" Supertruss pin extraction tool	7

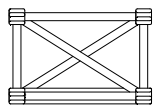


Allowable Load Data	Maximum Allowable Uniform Loads		Maximum Allowable Center Point Loads		
	Span feet (meters)	Loads pounds (kgs)	Maximum deflection inches (mm)	Loads pounds (kgs)	Maximum deflection inches (mm)
	10 (3.048)	8496 (3854)*	0.20 (5)	7348 (3333)	0.20 (5)
	20 (6.096)	7255 (3291)	1.50 (38)	3628 (1646)	1.50 (38)
	30 (9.144)	3324(1508)	2.20 (56)	1662 (754)	2.20 (56)
	40 (12.192)	1695 (769)	2.95 (75)	848 (385)	2.95 (75)
	50 (15.24)	888 (403)	3.70 (94)	445 (202)	3.70 (94)

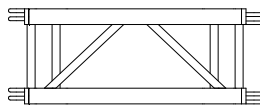
LOADING FIGURES show maximum loads between supports in addition to self weight of truss. Information extracted from structural report by Broadhurst, Goodwin & Dunn for Super-truss manufactured after November 1993. \* Denotes load limited to suit maximum shear capacity. All loads include 20% overload factor for dynamic effects.



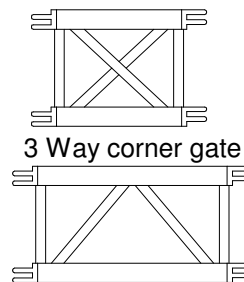
Plan View



End View

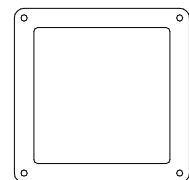


Side View



3 Way corner gate

90 Degree corner gate



Square support plate