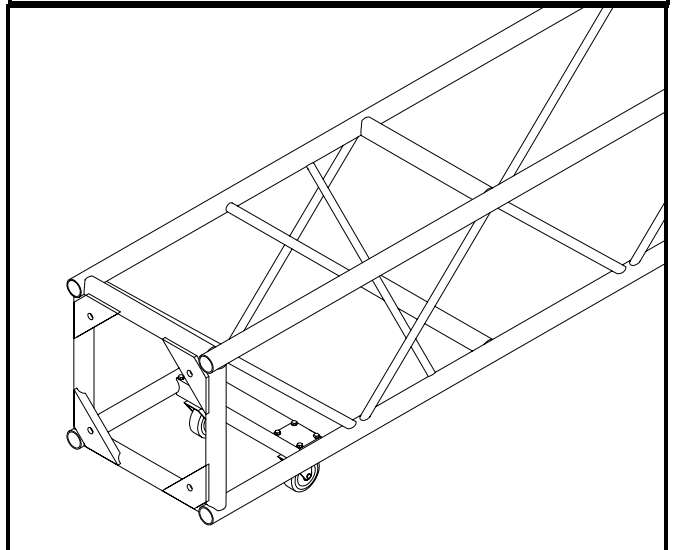
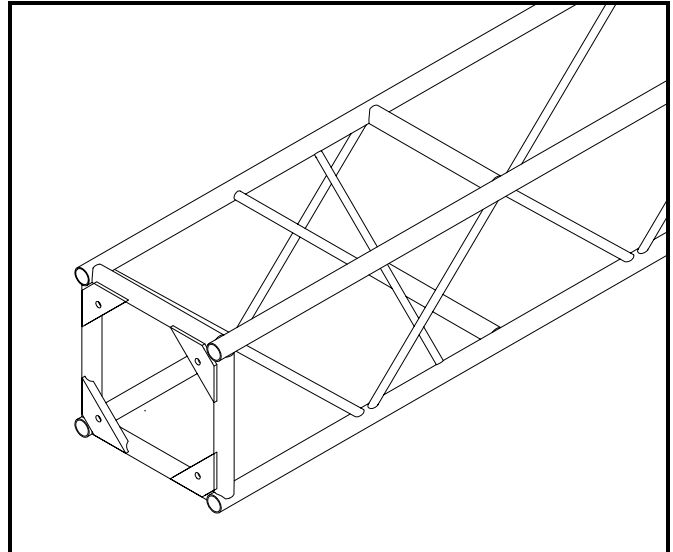


**ENGINEERING**

20.5" x 20.5" General Purpose truss manufactured from 6061T6 or 6082T6 Aluminium using 2" x 0.125" wall and 1" x 0.125" wall tubes. It is supplied as standard with bolts for connection.

GP 20.5" x 20.5" is suitable for the majority of lighting applications, flying P.A. and any general purpose use. It can be used with Ground Support System by incorporating suitable sleeve blocks and towers. This truss can also be supplied with castor wheels.

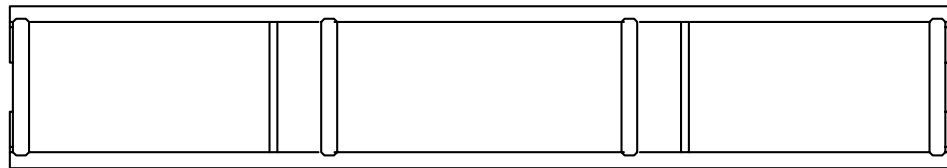
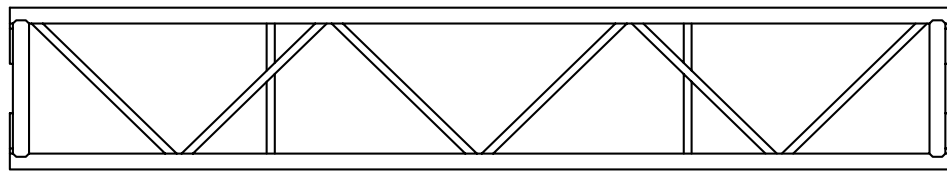
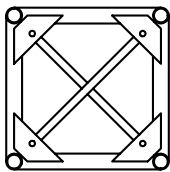
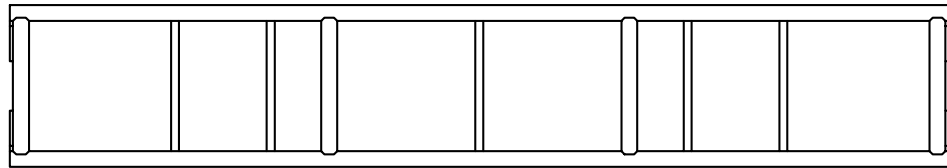
PRODUCT CODE	DESCRIPTION	WT lbs
B0400	10' LONG SECTION	88
B0401	8' LONG SECTION	75
B0402	5' LONG SECTION	60
B4400	4 METRE LONG SECTION	114
B4401	3 METRE LONG SECTION	88
B4402	2.5 METRE LONG SECTION	77
B4403	2 METRE LONG SECTION	68
B4404	1.5 METRE LONG SECTION	60
B4405	1 METRE LONG SECTION	44
B4407	4 WAY CORNER BLOCK	37
B44	5 WAY CORNER BLOCK	40
B4408	6 WAY CORNER BLOCK	42
B4409	UNIVERSAL PIVOT SECTION 0 - 270 DEGREE	43
B4410	UNIVERSAL PIVOT SECTION 0 - 90 DEGREE	42
B4411	FLAT PIVOT SECTION 0 - 180 DEGREE	37
B4412	GP TO TRIANGULAR ADAPTER	-
B4413	GP TO 12" ADAPTER	-
PRODUCT CODE	TRUSS WITH CASTORS	WT lbs
B0420	10' LONG SECTION	105
B0421	8' LONG SECTION	92
B0422	5' LONG SECTION	77
B4420	4 METRE LONG SECTION	132
B4421	3 METRE LONG SECTION	106
B4422	2.5 METRE LONG SECTION	95
B4423	2 METRE LONG SECTION	86
B4424	1.5 METRE LONG SECTION	77
B4425	1 METRE LONG SECTION	62



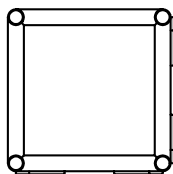
Allowable Load Data	Maximum Allowable Uniform Loads		Maximum Allowable Center Point Loads	
	Span feet (meters)	Loads pounds (kgs)	Maximum deflection inches (mm)	Loads pounds (kgs)
10 (3.048)	5741 (2604)	1.06 (27)	2870 (1302)	1.06 (27)
20 (6.096)	5741 (2604)	1.06 (27)	2870 (1302)	1.06 (27)
30 (9.144)	3715 (1685)	1.57 (40)	1858 (843)	1.57 (40)
40 (12.192)	2643 (1199)	2.44 (62)	1322 (600)	2.44 (62)
50 (15.24)	1911 (867)	3.70 (94)	957 (434)	3.70 (94)

LOADING FIGURES show maximum loads between supports in addition to the self weight of the truss. Information extracted from the structural report by Broadhurst, Goodwin, and Dunn suit maximum shear capacity. All loads include 20% overload factor for dynamic effects.

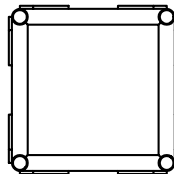
10 ft Truss



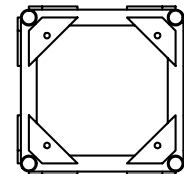
2 Way Corner Block



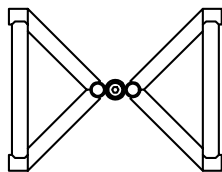
4 Way Corner Block



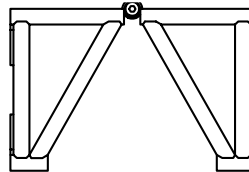
6 Way Corner Block



Universal Pivot Section  
 90-0-90 Degrees



Universal Pivot Section  
 0-270 Degrees



Flat Pivot Section  
 0-180 Degrees

