

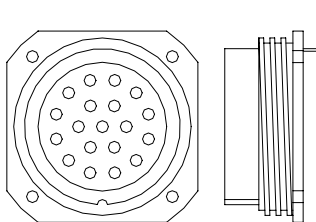
CEEP CONNECTORS

Product Code	DESCRIPTION
19 PIN CONNECTORS	
G0570	Male Chassis
G0571	Female Chassis
G0572	Male Inline, Short Body, PG29
G0572B	Male Inline, Long Body, PG29
G0572C	Male Inline, Short Body, PG36
G0572D	Male Inline, Long Body, PG36
G0573	Female Inline, Short Body, PG29
G0573B	Female Inline, Long Body, PG29
G0573C	Female Inline, Short Body PG36
G0573D	Female Inline, Long Body, PG36
G0574	Assembly Tool for Male
G0574A	Assembly Tool for Female
7 PIN CONNECTORS	
G0575	Male Inline Solder, PG29
G0575A	Male Inline Solder, PG16
G0576	Female Inline Solder, PG29
G0577	Female Chassis
G0578	Male Chassis
G0579	Assembly Tool for Male
G0579A	Assembly Tool for Female

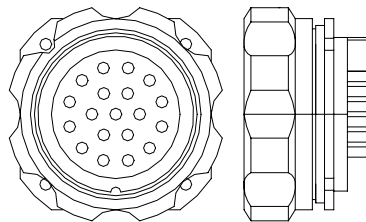
CEEP Series 92 multipin connectors are a reliable and proven electrical connector with a functional design that is both simple and easy to use. The Series 92 connector line is both UL recognized and CE marked. They are widely used and in the entertainment industry and compatible with other 19, 37, and 7 pin circular connectors. The extremely robust one piece aluminum backshell is fitted with a patented Polyamide strain relief and available in a variety of sizes. Contacts are machined in copper alloy with gold on nickel underplate and sockets are fitted with a spring for optimal pin retention. The thermoset insert is designed to withstand a forceful impact on the connectors.

TECHNICAL SPECIFICATION	
Series 92 RANGE	
WORKING CURRENT	(19 Pin) 25A
WORKING VOLTAGE	(19 Pin) 400VAC
WORKING TEMPERATURE	-40°C to +120°C
SHELL MATERIAL	Aluminium alloy
CONTACT MATERIAL	Machined copper alloy
CONTACT PLATING	Gold on nickel underplate
CONTACT RESISTANCE	≤ 0.005Ω

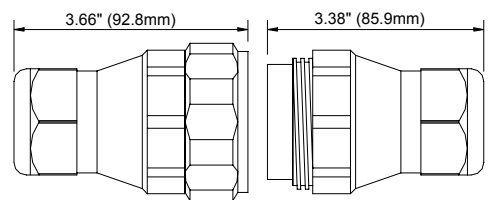
CABLE CLAMP SIZE	
CLAMP	CABLE DIAMETER - inches (mm)
PG 16	0.39 to 0.55 (10 to 14)
PG29a	0.51 to 0.79 (13 to 20)
PG 29b	0.71 to 0.98 (18 to 25)
PG36	0.87 to 1.26 (22 to 32)



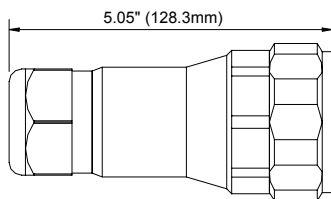
G0571 Female Chassis



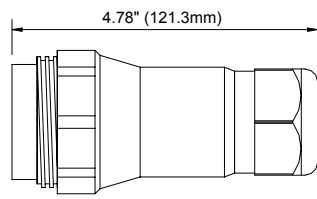
G0570 Male Chassis



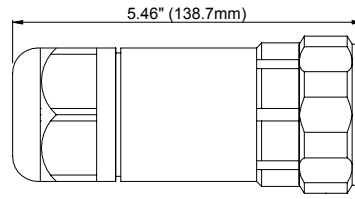
G0572 Male Inline G0573 Female Inline



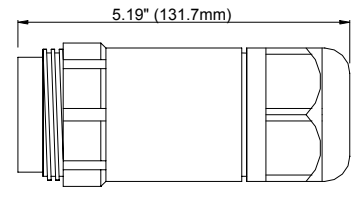
G0572B Male Inline



G0573B Female Inline



G0572D Male Inline



G0573D Female Inline

VEAM VSC CONNECTORS

Thomas presents the high quality Veam VSC connectors.

The VSC is a threaded coupling multi-pin cylindrical connector for lighting applications.

The VSC offers machined aluminium shells with a heavy ribbed coupling ring to provide easy manual coupling and uncoupling. Resilient insulators are crack and chip resistant. Both solder and crimp removable contacts are available as well as a complete range of assembly tools and accessories.

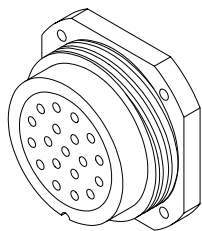
Furthermore, all of VSC's component parts are REPLACEABLE. VSC's one piece, light weight glass-filled valox backshells provide a waterproof seal at the cable entry point. The backshells' extended length allow adequate working room for crimp contact assembly.

The inline plug threads are teflon coated to make coupling and uncoupling smoother. Finally, the black hard-anodized finish provides a scratch and wear resistant surface to maintain VSC's cosmetic modern appearance.

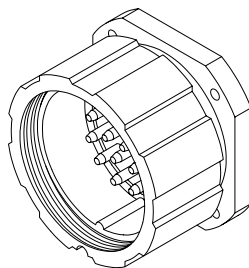
Available from stock in the following configurations.

Product Code	DESCRIPTION
SOLDER CONTACTS	
G0550	VSC26-32S-19P Panel Mount Male
G0551	VSC020-32S-19S Panel Mount Female
G0552	VSC06SL-32S-19P(29) Male Inline
G0553	VSC01SL-32S-19S(29) Female Inline
CRIMP CONTACTS	
G0560	VSC26-32S-19P-F80 Panel Mount Male
G0561	VSC020-32S-19S-F80 Panel Mount Female
G0562	VSC06SL-32S-19P-F80(29) Male Inline
G0563	VSC01SL-32S-19S-F80(29) Female Inline

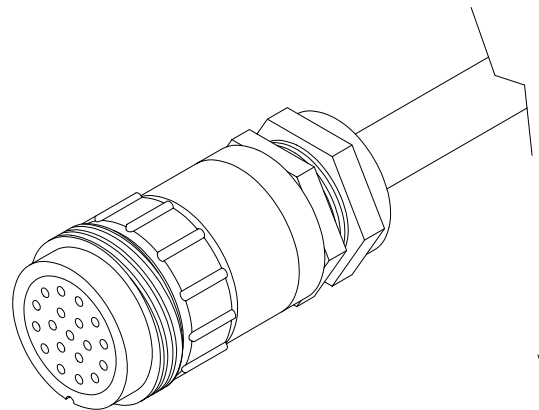
TECHNICAL SPECIFICATION	
VOLTAGE RATING	700 VDC, 500 VAC
CURRENT RATING	41A max. 23A rated
WORKING TEMPERATURE	-55°C to +125°C
SHELL MATERIAL	Aluminium alloy, machined
CONTACT MATERIAL	Copper alloy
CONTACT PLATING	Gold



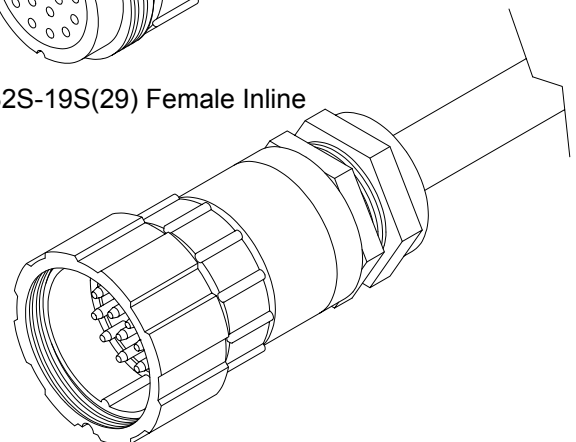
VSC020-32S-19S Panel Mount Female



VSC26-32S-19P Panel Mount Male



VSC01SL-32S-19S(29) Female Inline



VSC06SL-32S-19P(29) Male Inline

Veam VSC connectors are UL approved and available with Double Bar Clamp, Basket Weave, Strain relief, or Kinky Klamp.